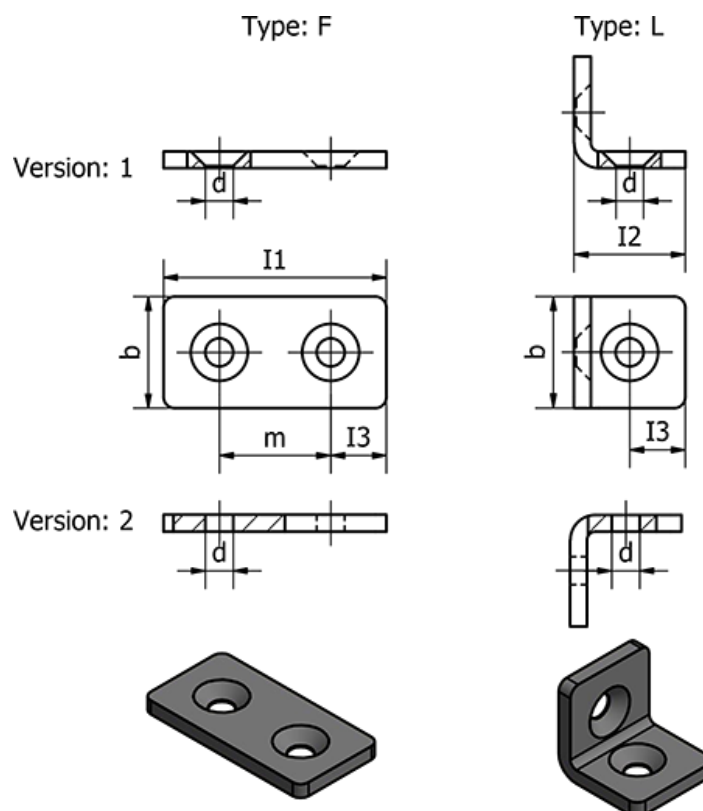


Article number: 209672040F2SW

Description: E+G Angle pieces/Shackels - GN 967-20-40-F-2-SW

Measures



b	= 20
d	= 5.2
$I1$	= 40
$I2$	= -
$I3$	= 10
m	= 20
s	= 3
Weight (g)	= 18